

[3.9]
Ø 99.40

[3.8]
Ø 96.00

[5.2]
133

[2.1]
54

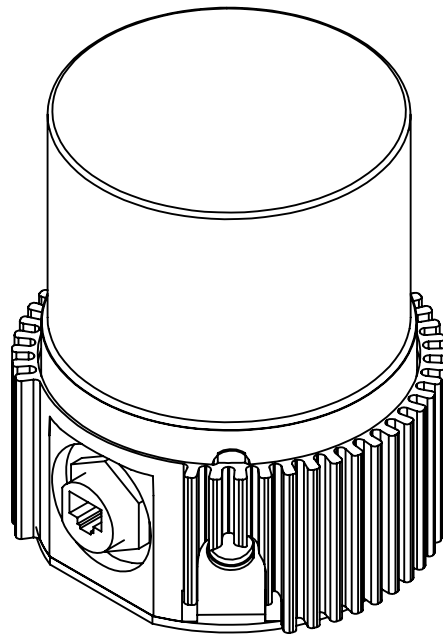
[1.1]
27.90

[4.5]
115

[1.0]
25.40

A

A



1/4-20 MTG HOLE
DEPTH: 9.0
(TRIPOD MOUNT)

[2.03]
51.60

4x M5 MTG HOLE
DEPTH: 9.0
(BASE MOUNT)

[2.03]
51.60

NOTES:
1) ALL MEASUREMENTS
ARE TAKEN IN METRIC
[IMPERIAL]

